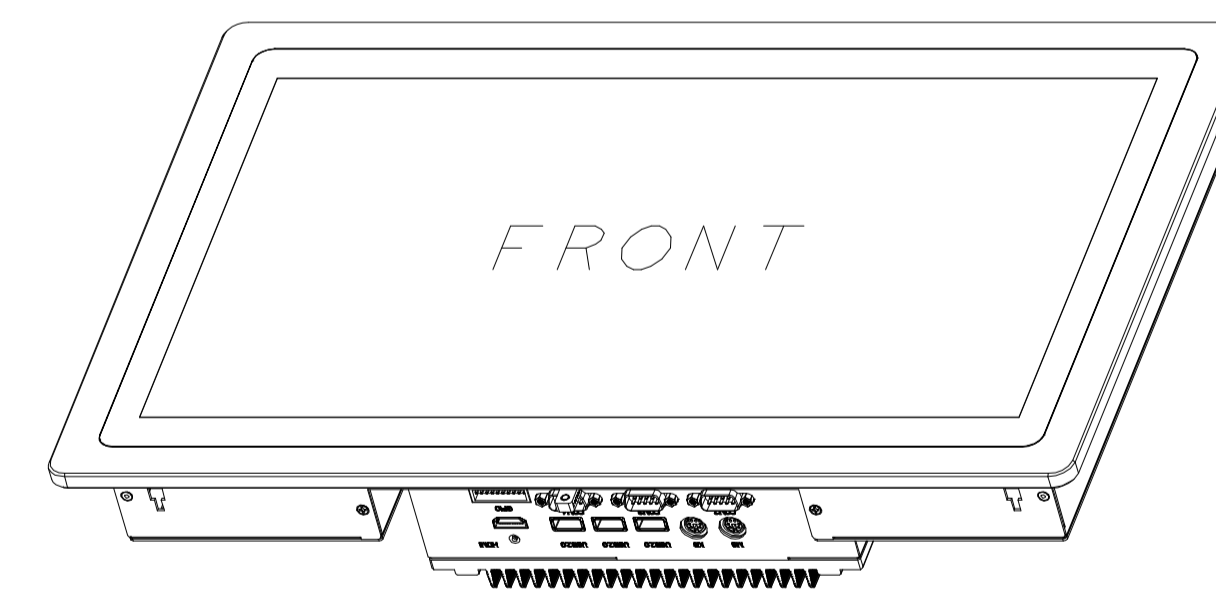
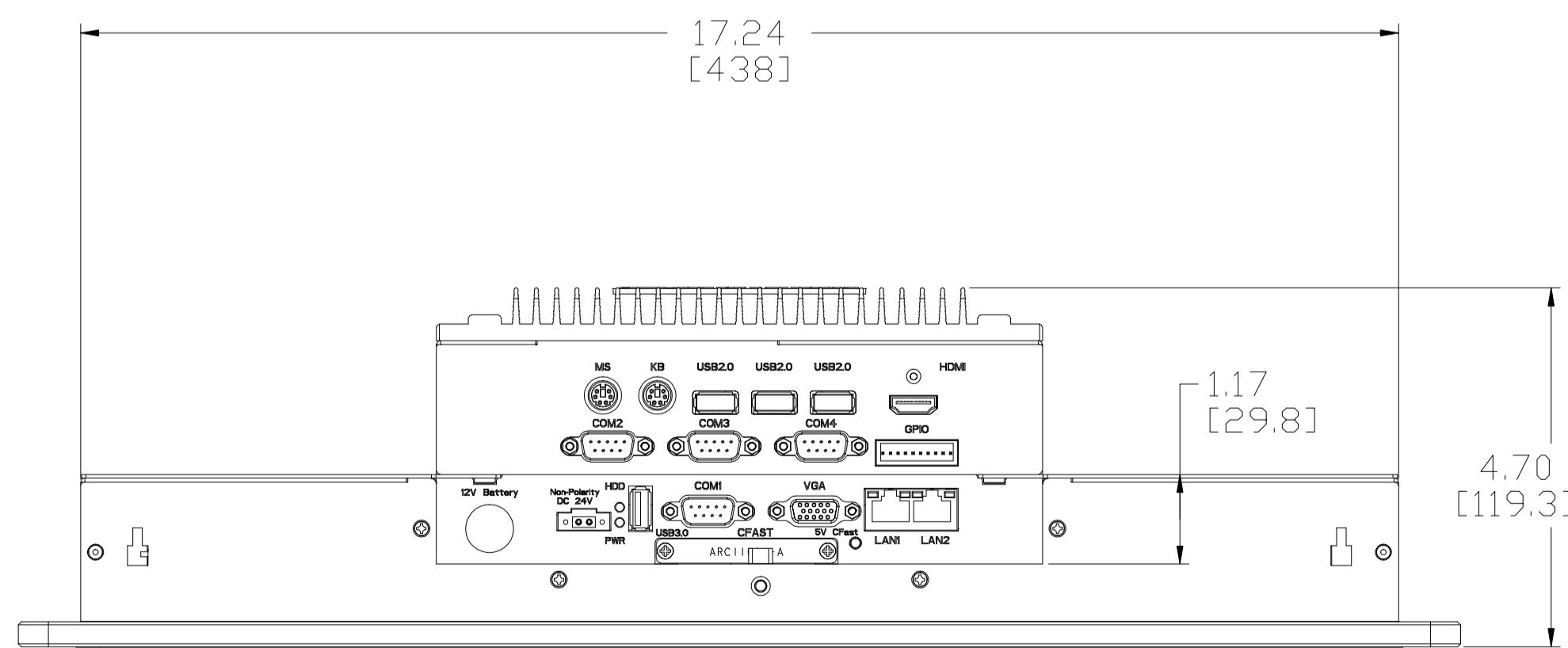
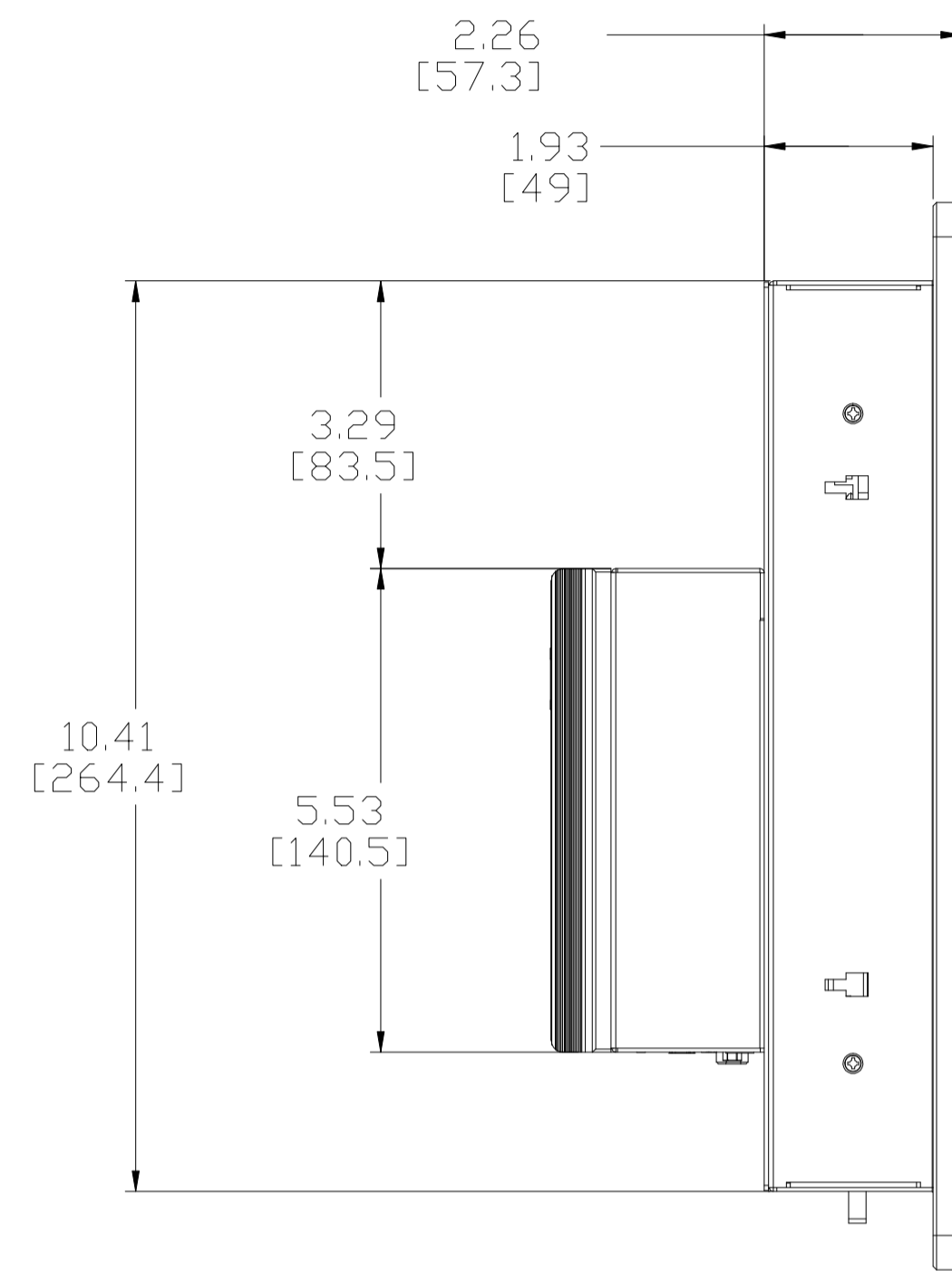
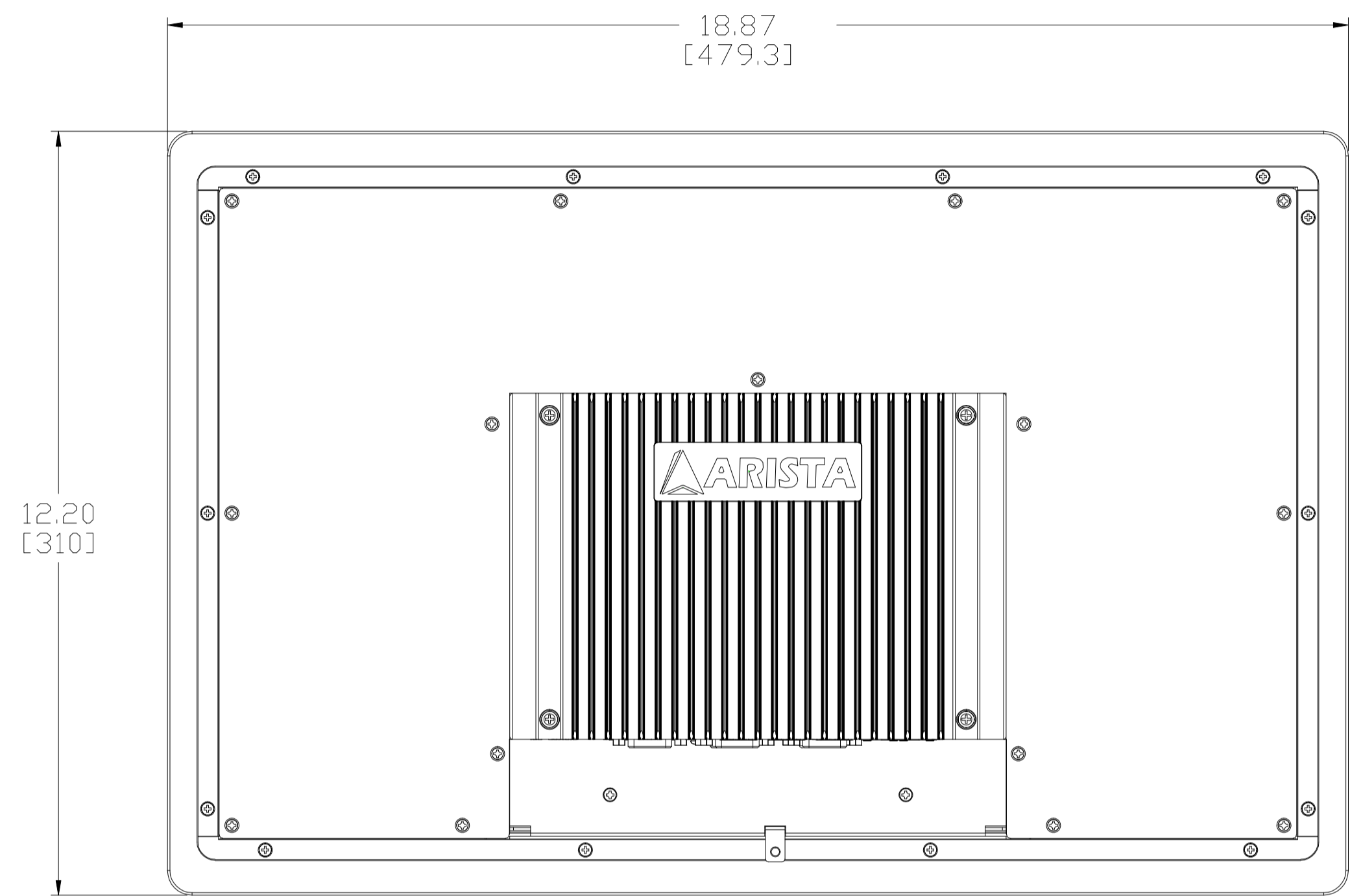
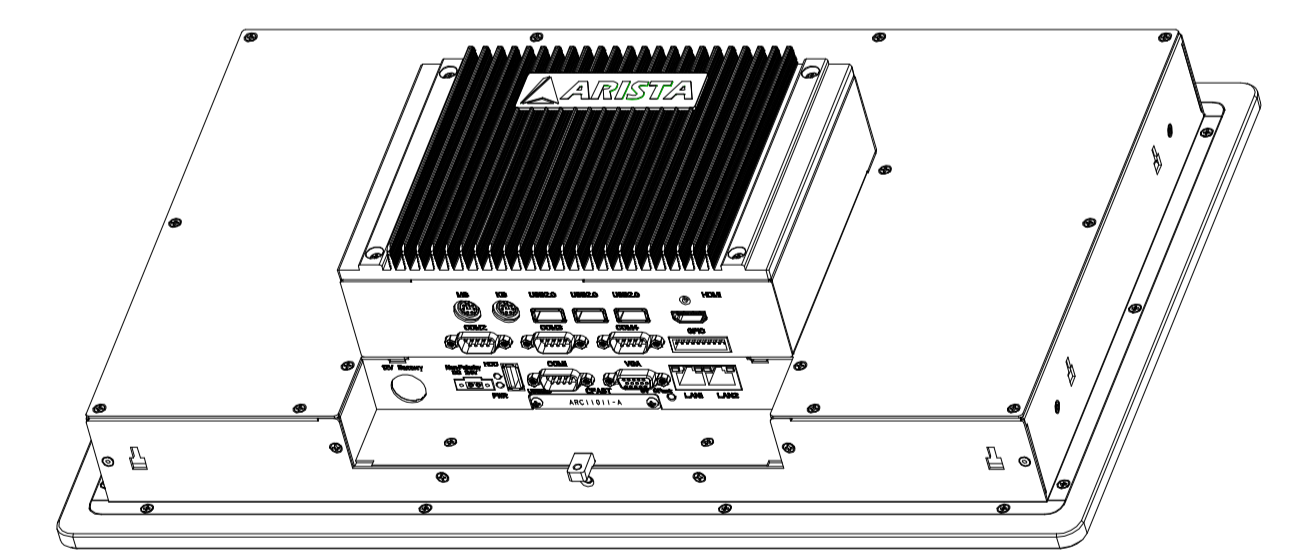


PARTS LIST			
ITEM	QTY	DESCRIPTION	P/N



比例 0.300



比例 0.300

ALL DIMENSIONS IN MILLIMETRES
 THIRD ANGLE PROJECTION

ZONE	REV	DESCRIPTION	DATE	APPROVED
REVISIONS				

The information disclosed on this document is the exclusive property of ARISTA CORPORATION. Reproduction, disclosure, or the use of this document or information without the written permission of ARISTA CORPORATION is prohibited.	TOLERANCES	A	B	C	ARISTA CORPORATION 40675 Encyclopedia Circle, Fremont, CA 94538
	0-30mm	±0.1	±0.25	±0.6	
	30-120mm	±0.15	±0.46	±1.1	
	120-315mm	±0.2	±0.6	±1.6	
	>315mm	±0.3	±1.1	±2.5	TITLE
DRN			DATE		0_ARP-3818AP-H01-ARQ02100
CHECKED					SIZE
DESIGN					D
ECN	©	CN	DESIGN		FSCM NO.
					DWG NO.
					INV. NO.
					SHEET
					OF

比例 0.500